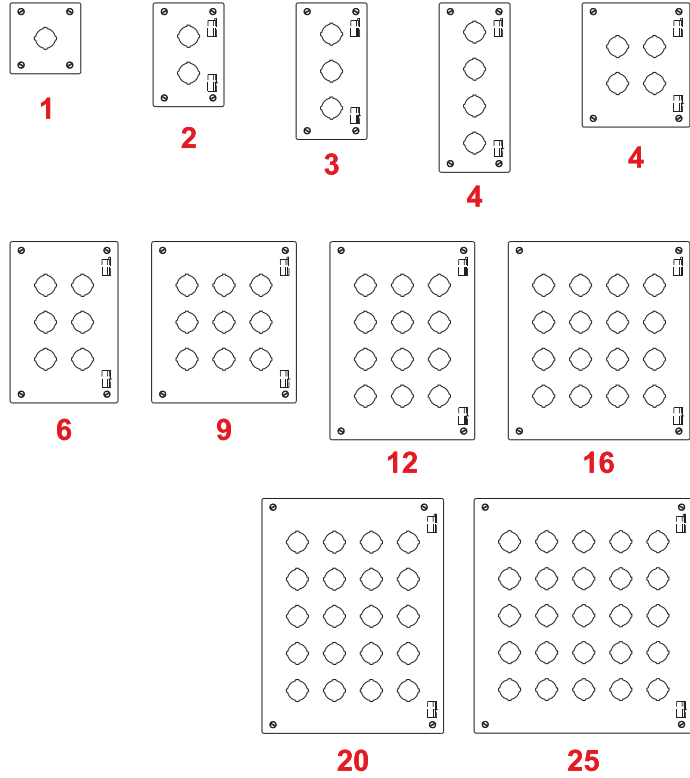


Pushbutton Enclosures - NEMA 12, 13

1437/ 1437M Extra Deep Series

Operator Interface Enclosure



Application

- Designed to accept standard heavy duty oil tight pushbuttons, switches and pilot lights.
- Provides protection from dirt, dust, oil and water.

Standards

- UL 508 Type 12 and 13
- CSA Enclosure 12 and 13
- **Complies with**
 - NEMA Type 12 and 13
 - IEC 60529, IP54
 - JIC STD EGP-1-1967
- Appropriate components are required to maintain these standards.

Construction

- Formed from 14 gauge steel except A which is 16 gauge.
- Smooth continuously welded seams.
- Welded brackets provide for enclosure mounting.
- Captive cover screws fasten into threaded, sealed wells.
- Larger enclosures provide internally hinged removable covers, designed to hold the cover open during wiring (see table).
- Oil resistant gasket and adhesive.
- A bonding stud is provided on the door and a grounding stud is provided on the enclosure.

Finish

- Cover and enclosure are phosphatized and finished in ANSI 61 gray powder coating.

Accessories

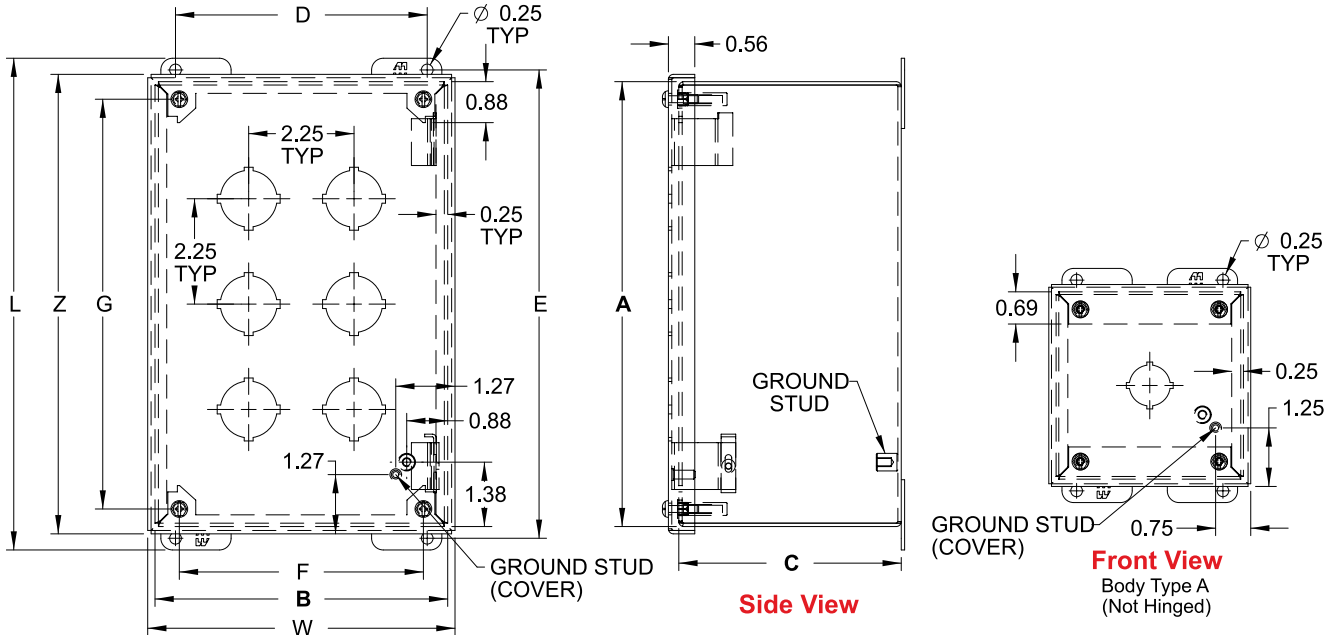
- Hole plugs...see page [435](#)
- Pedestals...see page [454](#)

Pushbutton Enclosures

Pushbutton Enclosures - NEMA 12, 13

1437/ 1437M Extra Deep Series

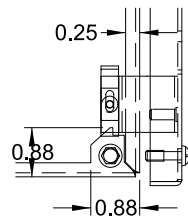
Operator Interface Enclosure



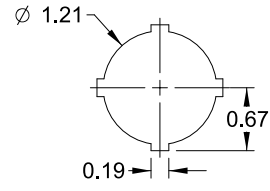
Front View
Body Type B through X
(Hinged)

Side View

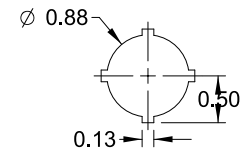
Front View
Body Type A
(Not Hinged)



Hinge Detail
Retractable pin allows door to be mounted on left or right side



30.5mm Detail
(1437 Series)



22.5mm Detail
(1437M Series)

Pushbutton Enclosures

Part No.		No. Of Holes	Overall Dimensions										Ship Wt. lbs.
30.5mm	22.5mm		A	B	C	D	E	F	G	L	W	Z	
1437A ¹	1437MA ¹	1	4.00	4.00	4.75	3.13	4.50	2.96	3.25	5.00	4.31	4.31	3
1437B	1437MB	2	6.00	4.00	4.75	3.13	6.50	2.96	5.25	7.00	4.31	6.31	4
1437C	1437MC	3	8.00	4.00	4.75	3.13	8.50	2.96	7.25	9.00	4.31	8.31	5
1437D	1437MD	4	10.00	4.00	4.75	3.13	10.5	2.96	9.25	11.00	4.31	10.31	5
1437F	1437MF	4	7.25	6.25	4.75	5.38	7.75	5.21	6.50	8.25	6.56	7.56	5
1437H	1437MH	6	9.50	6.25	4.75	5.38	10.00	5.21	8.75	10.50	6.56	9.81	5
1437K	1437MK	9	9.50	8.50	4.75	7.63	10.00	7.46	8.75	10.50	8.81	9.81	7
1437O	1437MO	12	11.75	8.50	4.75	7.63	12.25	7.46	11.00	12.75	8.81	12.06	8
1437S	1437MS	16	11.75	10.75	4.75	9.88	12.25	9.71	11.00	12.75	11.06	12.06	9
1437V	1437MV	20	14.00	10.75	4.75	9.88	14.50	9.71	13.25	15.00	11.06	14.31	11
1437X	1437MX	25	14.00	13.00	4.75	12.13	14.50	11.96	13.25	15.00	13.31	14.31	12

¹ Not Hinged

Technical references and CAD downloads available at www.hammondmfg.com All dimensions in inches unless specified otherwise

Quality Products. Service Excellence.